



MWTD-S8

Digital Input 863MHz
Single Channel Transmitter

Operation Manual



CONTENTS

DESCRIPTION.....	2
SPECIFICATIONS.....	2
MWTD-S8 ORIENTATION.....	3
SAFETY PRECAUTIONS.....	4
SETTING THE TRANSMITTER CHANNEL.....	4
CONNECTING THE TRANSMITTER.....	5
STANDY-BY MODE.....	6
MWTD-S8 MOUNTING BRACKET.....	7
WARRANTY.....	8

DESCRIPTION

The MWTD-S8 transmitter takes the input of an optical or analog audio signal and allows the user to transmit onto any one of 13 possible MYE Entertainment 800MHz frequencies or 12 Cardio Theater / Exercise xTV frequencies or 8 MYE / Audeon frequencies. The signal can then be received on MYE Entertainment or other compatible fitness entertainment receivers.

SPECIFICATIONS

Audio Input Sensitivity	0.1 to 2 Volts peak-peak (ALC)
Audio Input Impedance	5K Ohms
Signal to Noise	-70dBm ref .7 volts
RF Output	1 mW
Distortion	< 2%
Audio Frequency Response	20Hz to 18 KHz
Separation	>25dB
Weight	2 lbs.
Power Requirements	9 VDC 200 mA



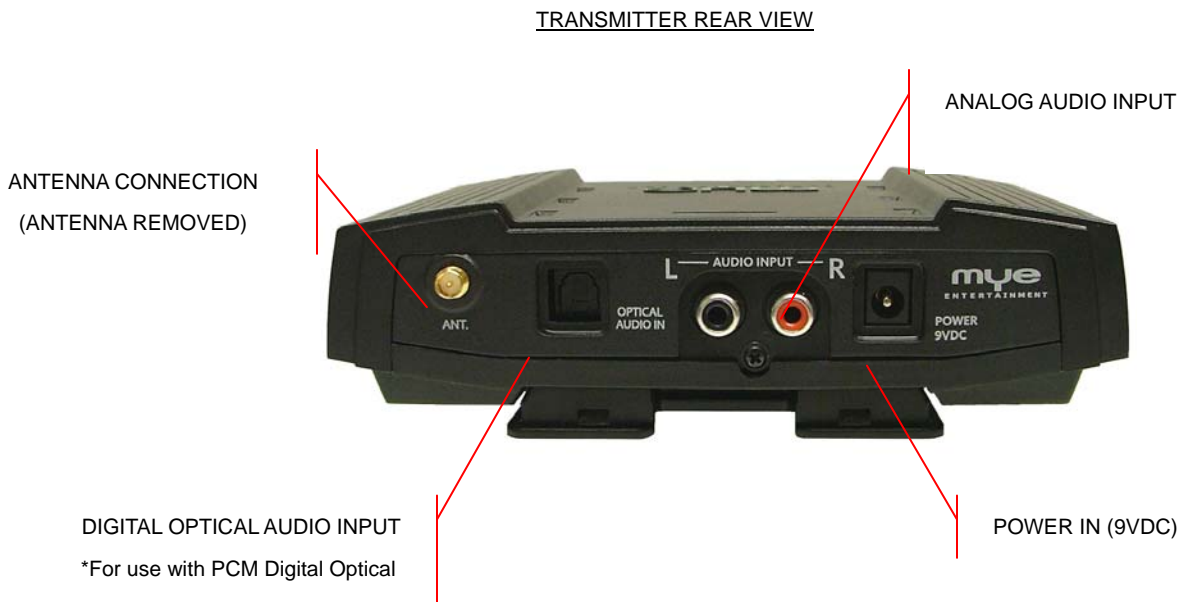
In keeping with the European Union's (EU) WEEE (Waste Electrical and Electronic Equipment) directive for waste management for electronic equipment sold into EU countries, the symbol on the product (shown) indicates that this product must not be disposed of with other waste. It is the user's responsibility to dispose of their waste electrical and electronic equipment by handing it over to an approved reprocessor or recycler. For more information about where you can send your waste equipment for recycling, please contact your local city office or MYE Entertainment distributor.



RoHS



MWTD-S8 Orientation



SAFETY PRECAUTIONS

- Read all instructions in this manual.
- Use the power adapter provided.
- Position cables safely.
- Keep away from water and moisture.
- Keep the unit away from excessive heat.
- Do not drop.
- Do not open.
- Have all service performed by a qualified technician.

SETTING the CHANNELS for a MYE Entertainment AUDIO SYSTEM

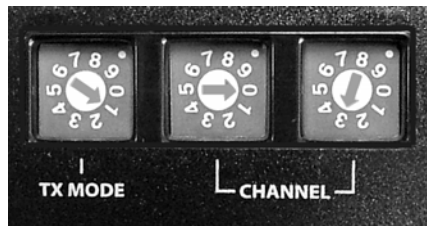
The MWTD-S8 has multiple transmitter modes for use with MYE Entertainment as well as other manufacturer's 863MHz transmitters. Use the rotary tuning switch marked "TX MODE" to select the transmitter type.

For optimal performance with 863MHz systems using 1-8 transmitters, set your MWTD-S8 to the MYE / Audeon TX MODE 3. Program your MYE Entertainment receivers to P3. Transmitters are shipped preset to TX MODE 3.

TX Mode 3 = MYE / Audeon (8 Channels)

TX Mode 2 = Cardio Theater xTV (12Channels)

TX Mode 1 = MYE Entertainment (13 Channels)



Once the TX MODE has been selected use the two rotary tuning switches marked "CHANNEL" to set the left and right numbers to correspond to the channel number you need to transmit on.

EXAMPLE: To set your transmitter to transmit on MYE Entertainment channel 3:

- 1) To set your transmitter to the MYE Entertainment frequencies, turn the "TX MODE" dial to "1."
- 2) To set the transmitter to the channel 3, turn the left "CHANNEL" rotary tuning switch to the number "0" and the right switch to the number "3".

Connecting the MWTD-S8 to an Audio Source

Audio Output

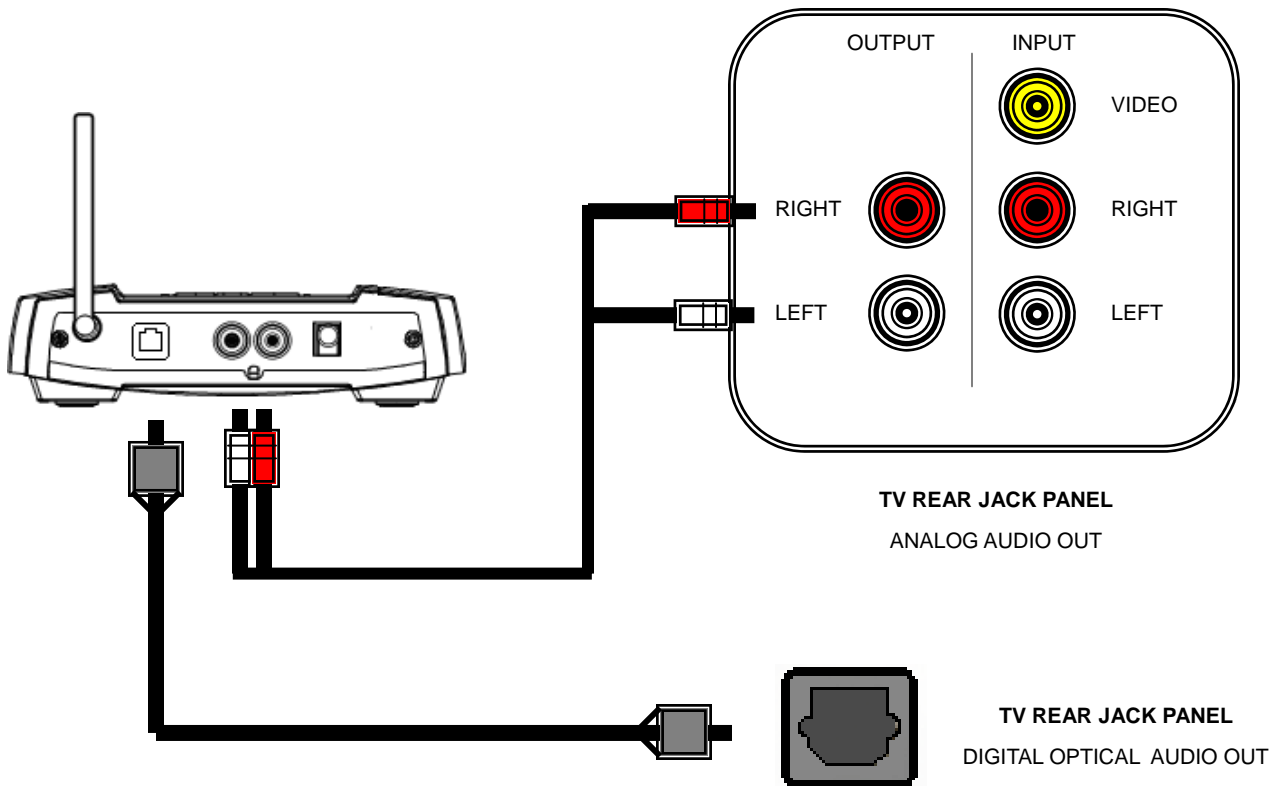
TV's, VCR's CD players, DVD players, Satellite and Radio Tuners can be used as audio sources for the MWTD-S8. All will require either analog stereo RCA style audio output jacks or a Digital Optical Audio output jack. Stereo RCA style audio cables and a Digital Optical cable are supplied.

To use a **TELEVISION** as an audio source for the MWTD-S8 transmitter, the TV must have "Analog or Digital Optical Audio Output." Televisions with analog capability may come with either "Fixed" or "Variable" audio output. Please consult your television Owner's Manual as to their operation.

Connect the Transmitter

1. Select the appropriate audio cable supplied and connect one end into the audio OUTPUT of the audio source.
2. Plug the other end of the audio cable into the corresponding jack on the MWTD-S8 transmitter.
3. Insert the DC power plug into the DC power jack on the MWTD-S8 and plug the AC power adapter into an AC outlet. The power light on the MWTD-S8 will blink "GREEN" once. This verifies the unit is now ON.

EXAMPLE: TRANSMITTER TO TV CONNECTION (ANALOG OR DIGITAL)



Audio and Automatic Level Control

Note: The MWTD-S8 transmitter features an Automatic Level Control (ALC) to adjust the sound level during sudden loud programming or audio spikes. To establish a proper ALC baseline it is best to first connect the audio signal to the transmitter with the normal level audio playing on the source. Then plug in the MWTD-S8 power supply to the transmitter.

1. When the audio signal is being received by the MWTD-S8 transmitter at an acceptable level the AUDIO INDICATOR LIGHT will turn GREEN. Sources with "manual variable audio" will require you to adjust audio level inputting to the transmitter.
2. When using some TV's with analog audio output you may need to turn the TV speakers off. (Consult your TV's Owner's Manual for Fixed and Variable Audio Output operation.)
3. When the audio drops BELOW an optimal level for the Automatic Level Control (ALC) the audio light will turn OFF. A flashing GREEN audio light does not require adjustment of the audio source for normal operation. When an acceptable audio level returns to the unit, the light will turn green again. A flashing GREEN light may happen during TV programs or songs when audio is intermittent.
4. If no audio light is present, check all your audio cable connections and/or check the audio source equipment.
5. When audio rises ABOVE the acceptable level for the Automatic Level Control (ALC) the audio light will turn RED. The ALC will automatically reduce the audio to an acceptable level to return the audio light to green. If the audio light is RED for longer than 30 seconds, check and reduce the settings of the source audio equipment.
6. The audio light may occasionally flash RED during some programming when audio levels momentarily rise above acceptable levels. A flashing RED audio light does not need adjustment of the audio for normal operation. When a continuous acceptable audio level is returned to the unit, the light will turn green again. This may happen during some TV programs or songs when audio levels spike naturally.
7. Verify by listening through your 800MHz receiver that audio transmission is complete.

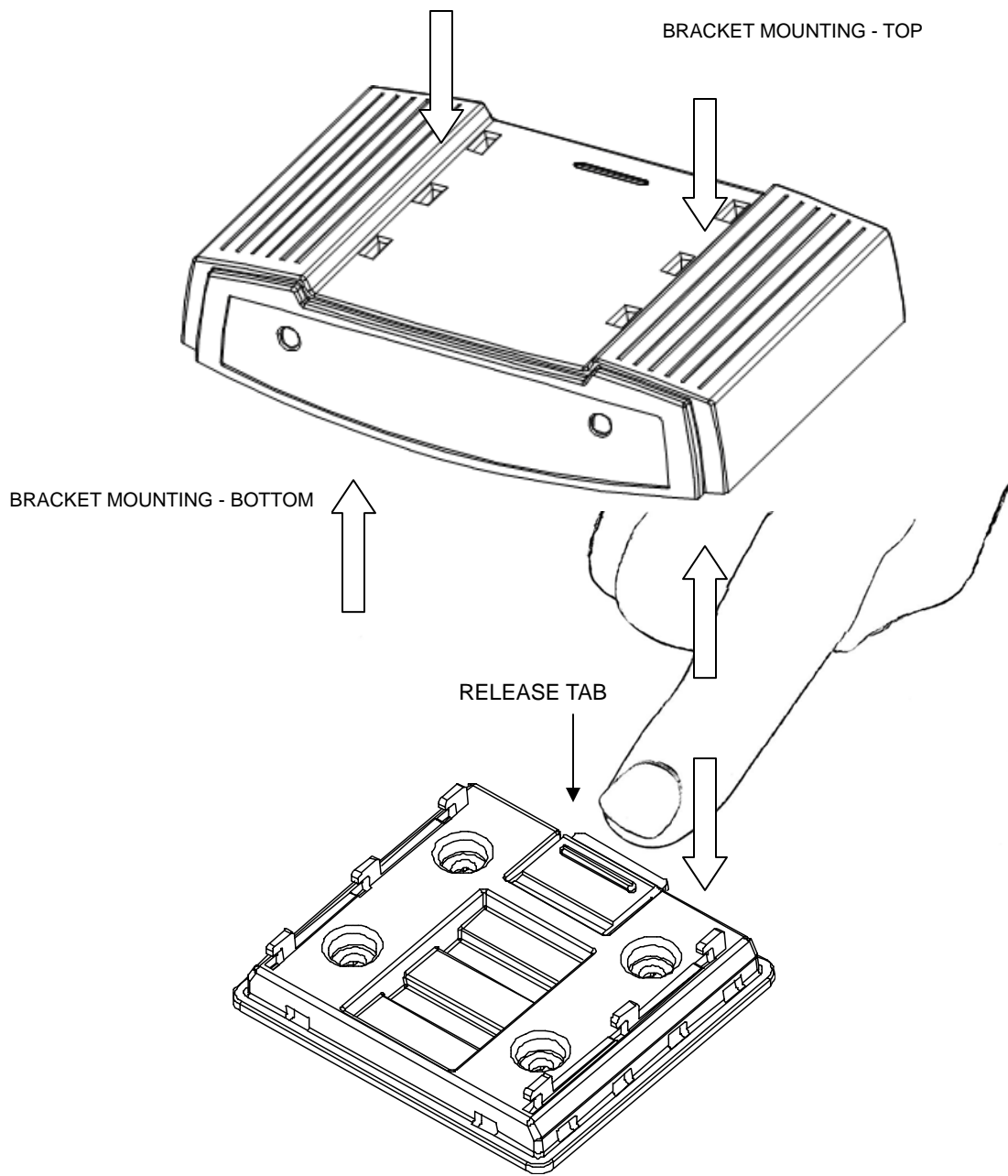
Stand-by Mode and Alert

In keeping with R&TTE Directive 1999/5/EC if there is an interruption of the input audio for longer than 4 minutes this transmitter will automatically switch to "low Power Stand-by" mode. Indication the transmitter has entered Stand-by mode is a consistent flashing green audio light.

Transmitting can be restored by reintroducing a constant audio signal into the transmitter for longer than 5 seconds.

MWTD-S8 Mounting Bracket

The MWTD-S8 comes with a Mounting Bracket that allows for easy wall, ceiling or under-shelf mounting of the transmitter. Four holes in the bracket give access for screws or nylon cable ties. The mounting bracket SNAPS into either the TOP or BOTTOM of the MWTD-S8 giving the transmitter a high level of adaptability and solid positioning in nearly all mounting scenarios.



MWTD-S8 MOUNTING BRACKET

WARRANTY Terms and Conditions

PLEASE READ THESE WARRANTY TERMS AND CONDITIONS CAREFULLY BEFORE USING YOUR MYE ENTERTAINMENT PRODUCT. BY USING THE EQUIPMENT, YOU ARE CONSENTING TO BE BOUND BY THE FOLLOWING WARRANTY TERMS AND CONDITIONS.

LIMITED WARRANTY

MYE ENTERTAINMENT (MYE) WARRANTS ALL NEW MYE PRODUCTS TO BE FREE FROM DEFECTS IN MATERIALS AND MANUFACTURERS FOR THE WARRANTY PERIODS SET FORTH BELOW. THE WARRANTY PERIODS COMMENCE ON THE INVOICE DATE OF THE ORIGINAL PURCHASE. THIS WARRANTY APPLIES ONLY AGAINST DEFECTS DISCOVERED WITHIN THE WARRANTY PERIOD AND EXTENDS ONLY TO THE ORIGINAL PURCHASER OF THE PRODUCT. PARTS REPAIRED OR REPLACED UNDER THE TERMS OF THIS WARRANTY WILL BE WARRANTED FOR THE REMAINDER OF THE ORIGINAL WARRANTY PERIOD ONLY. TO CLAIM UNDER THIS WARRANTY, THE BUYER MUST NOTIFY MYE OR YOUR AUTHORIZED MYE ENTERTAINMENT DEALER WITHIN 30 DAYS AFTER THE DATE OF DISCOVERY OF ANY NONCONFORMITY AND MAKE THE AFFECTED PRODUCT AVAILABLE FOR INSPECTION BY MYE ENTERTAINMENT OR ITS SERVICE REPRESENTATIVE. MYE ENTERTAINMENT PRODUCTS DEEMED DEFECTIVE BY A MYE ENTERTAINMENT REPRESENTATIVE WILL BE ISSUED A RETURN AUTHORIZATION NUMBER. DEFECTIVE UNITS MUST BE RETURNED TO MYE FREIGHT PREPAID. MYE ENTERTAINMENT WILL NOT ACCEPT FREIGHT COLLECT OR RETURNS WITHOUT A RETURN AUTHORIZATION NUMBER. MYE ENTERTAINMENT RESERVES THE RIGHT, AT THEIR OPTION, TO REPAIR OR REPLACE THE PRODUCT AFTER VERIFICATION OF DEFECT. THE PRODUCT WILL BE RETURNED TO THE CUSTOMER PREPAID BY MYE. PRODUCT THAT FAILS AFTER THE WARRANTY PERIOD EXPIRES WILL BE REPAIRED OR REPLACED AT THE CURRENT PART AND LABOR PRICING AFTER AUTHORIZATION FROM THE CUSTOMER. REPAIRS ARE WARRANTED FOR 90 DAYS. MYE ENTERTAINMENT'S OBLIGATIONS UNDER THIS WARRANTY ARE LIMITED AS SET FORTH BELOW:

WARRANTY PERIODS AND COVERAGE:

MYE ENTERTAINMENT TRANSMITTERS 4 YEAR PARTS, LABOR TO REPAIR

CONDITIONS AND RESTRICTIONS:

THIS WARRANTY IS VALID ONLY IN ACCORDANCE WITH THE FOLLOWING CONDITIONS:

THE WARRANTY APPLIES TO THE MYE ENTERTAINMENT PRODUCT ONLY 1) WHILE IT REMAINS IN THE POSSESSION OF THE ORIGINAL PURCHASER AND PROOF OF PURCHASE IS DEMONSTRATED. 2) IT HAS NOT BEEN SUBJECT TO ACCIDENT, MISUSE, ABUSE, IMPROPER SERVICE, MECHANICAL OR ELECTRICAL NON-MYE ENTERTAINMENT AUTHORIZED MODIFICATION. 3) CLAIMS MADE WITHIN THE WARRANTY PERIOD.

THIS WARRANTY DOES NOT COVER DAMAGED OR FAILURE CAUSED BY ELECTRICAL WIRING NOT BEING IN COMPLIANCE WITH ELECTRICAL CODES OR MYE'S OWNER MANUAL SPECIFICATIONS, OR FAILURES TO PROVIDE REASONABLE AND NECESSARY MAINTENANCE AS OUTLINED IN THE OWNER'S MANUAL.

WARRANTIES OUTSIDE THE UNITED STATES AND CANADA MAY VARY. PLEASE CONTACT YOUR LOCAL DEALER FOR DETAILS.

LIMITED WARRANTY SHALL NOT APPLY TO:

- 1) SOFTWARE UPGRADES.
- 2) NORMAL WEAR AND TEAR, CONSUMABLES AND COSMETIC ITEMS INCLUDING BUT NOT LIMITED TO LABELS.
- 3) REPAIRS REFORMED ON MYE PRODUCTS MISSING A SERIAL NUMBER OR WITH A SERIAL TAG THAT HAS BEEN ALTERED, REATTACHED OR DEFACED.
- 4) SERVICE CALLS TO CORRECT INSTALLATION OF THE PRODUCT OR INSTRUCT OWNERS ON HOW TO USE THE PRODUCT.
- 5) PICK UP AND DELIVERY INVOLVING REPAIRS
- 6) ANY LABOR COSTS INCURRED BEYOND THE APPLICABLE LABOR WARRANTY PERIOD
- 7) THE USER IS CAUTIONED THAT CHANGES OR MODIFICATIONS NOT EXPRESSLY APPROVED BY THE MANUFACTURER OF THE PRODUCT COULD VOID THE USER'S AUTHORITY TO OPERATE THE PRODUCT.

WARRANTY – cont.

THE WARRANTIES PROVIDED HEREIN ARE THE EXCLUSIVE WARRANTIES GIVEN BY MYE ENTERTAINMENT AND SUPERSEDE ANY PRIOR, CONTRARY OR ADDITIONAL REPRESENTATIONS, WHETHER ORAL OR WRITTEN. ANY IMPLIED WARRANTIES, INCLUDING THE WARRANTY OF MERCHANTABILITY OR FITNESS FOR A PARTICULAR PURPOSE THAT APPLY TO ANY PARTS DESCRIBED ABOVE ARE LIMITED IN DURATION TO THE PERIODS OF EXPRESS WARRANTIES GIVEN ABOVE FOR THOSE SAME PARTS. MYE HEREBY DISCLAIMS AND EXCLUDES THOSE WARRANTIES THEREAFTER. SOME STATES DO NOT ALLOW LIMITATIONS ON HOW LONG AN IMPLIED WARRANTY LASTS, SO THE ABOVE LIMITATION MAY NOT APPLY TO YOU. MYE ENTERTAINMENT ALSO HEREBY DISCLAIMS AND EXCLUDES ALL OTHER OBLIGATIONS OR LIABILITIES, EXPRESS OR IMPLIED, ARISING BY LAW OR OTHERWISE, WITH RESPECT TO ANY NONCONFORMANCE OR DEFECT IN ANY PRODUCT, INCLUDING BUT NOT LIMITED TO: (A) ANY OBLIGATION, LIABILITY, RIGHT, CLAIM OR REMEDY IN TORT, WHETHER OR NOT ARISING FROM THE NEGLIGENCE OF MYE OR ITS SUPPLIERS (WHETHER ACTIVE, PASSIVE OR IMPUTED); AND (B) ANY OBLIGATION, LIABILITY, RIGHT, CLAIM OR REMEDY FOR LOSS OF OR DAMAGE TO ANY PRODUCT. THIS DISCLAIMER AND RELEASE SHALL APPLY EVEN IF THE EXPRESSED WARRANTY SET FORTH ABOVE FAILS OF ITS ESSENTIAL PURPOSE.

FOR ANY PRODUCT DESCRIBED ABOVE THAT FAILS TO CONFORM TO ITS WARRANTY, MYE ENTERTAINMENT WILL PROVIDE, AT THEIR OPTION ONE OF THE FOLLOWING: 1) REPAIR, 2) REPLACEMENT OR 3) REFUND OF THE PURCHASE PRICE.

MYE AND/OR ITS SUPPLIERS SHALL HAVE NO OBLIGATION OR LIABILITY, WHETHER ARISING IN CONTRACT (INCLUDING WARRANTY), TORT (INCLUDING ACTIVE, PASSIVE, OR IMPUTED NEGLIGENCE AND STRICT LIABILITY), OR OTHERWISE, FOR DAMAGE TO THE PRODUCT, PROPERTY DAMAGE, LOSS OF USE, REVENUE OR PROFIT, COST OF CAPITAL, COST OF SUBSTITUTE PRODUCT, ADDITIONAL COSTS INCURRED BY BUYER (BY WAY OF CORRECTION OR OTHERWISE) OR ANY OTHER INCIDENTAL, SPECIAL, INDIRECT, OR CONSEQUENTIAL DAMAGES, WHETHER RESULTING FROM NON-DELIVERY OR FROM THE USE, MISUSE OR INABILITY TO USE THE PRODUCT. THIS EXCLUSION APPLIES EVEN IF THE ABOVE WARRANTY FAILS OF ITS ESSENTIAL PURPOSES AND REGARDLESS OF WHETHER SUCH DAMAGES ARE SOUGHT FOR BREACH OF WARRANTY, BREACH OF CONTRACT, NEGLIGENCE OR STRICT LIABILITY IN TORT OR UNDER ANY OTHER LEGAL THEORY.

SOME STATES DO NOT ALLOW THE EXCLUSION OR LIMITATION OF INCIDENTAL OR CONSEQUENTIAL DAMAGES SO THE ABOVE LIMITATION MAY NOT APPLY TO YOU.

THIS WARRANTY GIVES SPECIFIC LEGAL RIGHTS. YOU MAY ALSO HAVE OTHER RIGHTS WHICH VARY FROM STATE TO STATE.



25129 The Old Road
Suite 305
Stevenson Ranch, Ca 91381 USA

Ph: 661-964-0217

www.myeclubtv.com